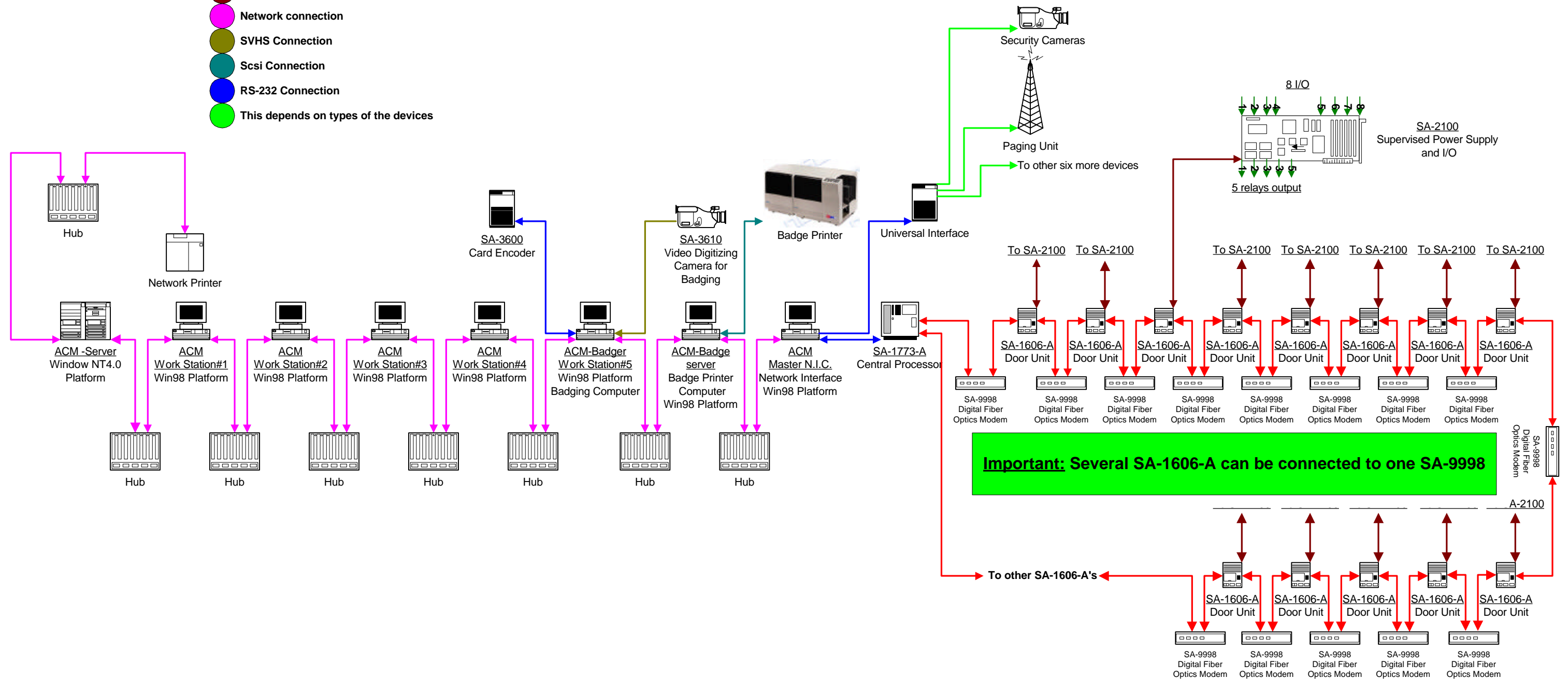


# COMPUTER CONTROLLED CARD ACCESS FOR AIRPORTS

- RS-485 Communication line that connects all SA-1606-A to SA-1773 [For longer distance SA-9998 (Digital Fiber Optics Modems) are required]
- RJ-11 connection between each SA-1606-A and SA-2100
- Network connection
- SVHS Connection
- Scsi Connection
- RS-232 Connection
- This depends on types of the devices



# SA-1606-A Wiring Diagram (Airport Version)

